

Thermo King Splitter-Harness

Applications:

CANbus data reading from Thermo King trailer reefer with Smart Reefer HMI



Key features:

- Faster and easier installation
- Professional installation
- Minimize risk of faulty installations

Install GNSS tracker faster and easier with the **Thermo King Splitter-Harness**.

The **Thermo King Splitter-Harness** is used to install HCV5, and Pro5 trackers to Thermo King trailer reefers that are using Smart Reefer HMI. CANbus data reading is available when using the harness. A spare socket stays available in case all the CAN sockets are taken - in this case one of the accessories could be disconnected and connected via this harness.

Compatibility

✓ HCV5 ✓ Pro5

Detailed specifications

Electrical specifications

Voltage range Up to 32 V DC

Physical properties

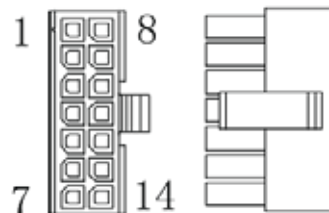
Cable length 1 ± 0.03 m

Connector type 8-pin MATE-N-LOK, 14-pin Molex

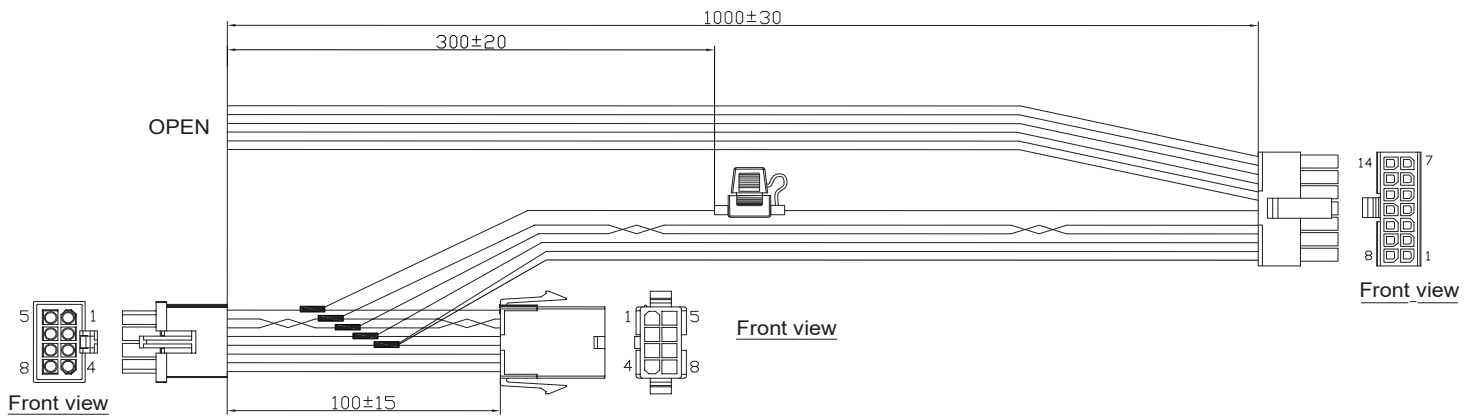
Thermo King Splitter Harness Pinout, Molex connector side

14 pin connector

Pin	Wire color	Function
1	Red	Power supply (9-32 V)
2	Purple	DOUT1
3	Green/Yellow	1-Wire Data
4	Pink	DIN3
5	Yellow	DIN4
6	Blue	CAN2 low
7	N/C	N/A
8	Black	Ground
9	Orange	DOUT2
10	Red/Yellow	1-Wire power
11	Green	Device-specific*
12	Gray	AIN1
13	White	CAN2 high
14	N/C	N/A



Thermo King Splitter-Harness Wiring Schematics (K00128)



Ordering information

K00128

Thermo King Splitter Harness



Contact information:

Perkūnkiemio g. 6
LT-12130 Vilnius, Lithuania
Phone: +370 520 451 88

www.ruptela.com

Datasheet v1.0
2023-11-30